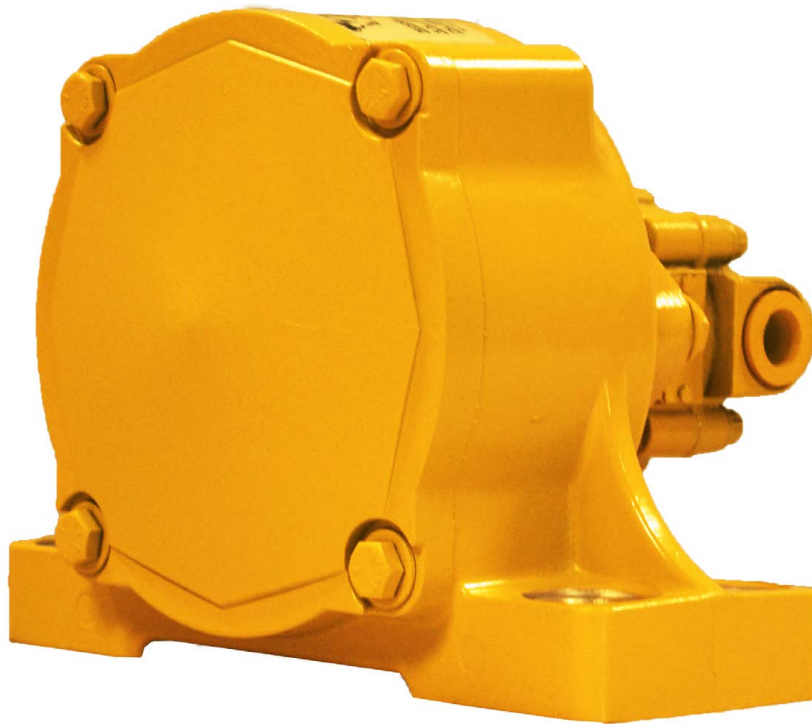


# Cougar<sup>®</sup> THD Vibrators

## PRODUCT DATA SHEET



### NOMENCLATURE

THD-XX XX YWXX

Vibrator Force Output

Vibrator Mounting Pattern

Mount Plate

### VIBRATOR FORCE OUTPUT

25: 2500 lbs

16: 1600 lbs

### VIBRATOR MOUNTING PATTERN

4M: Qty 4, 5/8 Bolts, 2.00" x 8.00" Rectangular Pattern

2V: Qty 2, 3/4 Bolts, 8.50" Between Center, In-Line Pattern

### MOUNT PLATE

MO: Without Mount Plate

MS: Steel Mount Plate

MA: Aluminum Mount Plate

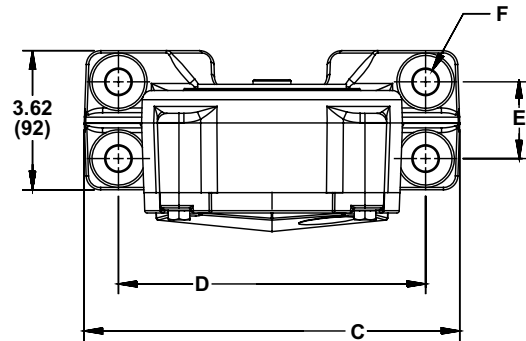
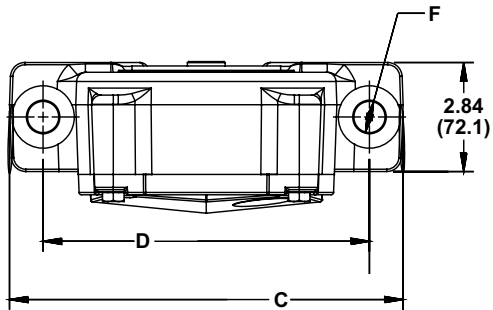
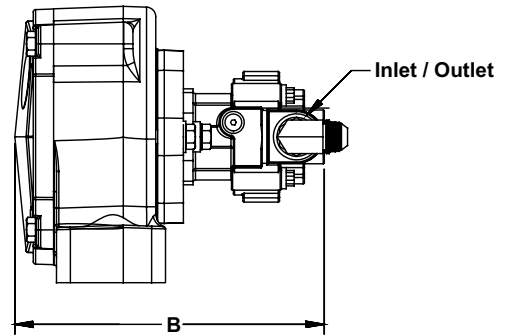
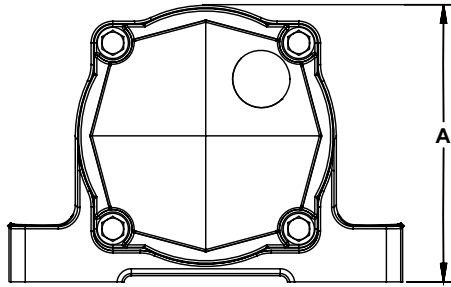
### FEATURES

- Built from high-strength aluminum for maximum durability.
- Efficient motor designed for minimal power consumption.
- Low Maintenance
- Designed to create more force per size/weight.
- Variable Speed
- Continuous Duty

### Specify Cougar for:

- Cost effective solutions
- Expert technical assistance
- Complete service and support

# COUGAR THD VIBRATORS



**THD-XXXX-2V MOUNTING PATTERN**

**THD-XXXX-4M MOUNTING PATTERN**

Model	P/N	A	B	C	Mounting		Bolt Size	Inlet	Outlet	Weight lbs
					D	E				
THD-1600	THD-16-4M-YW-MO	7.2	8.06	9.78	8	2	5/8	SAE 8	SAE 8	25
THD-1600	THD-16-2V-YW-MO	7.2	8.06	10.25	8.50	—	3/4	SAE 8	SAE 8	25
THD-2500	THD-25-4M-YW-MO	7.2	8.06	9.78	8	2	5/8	SAE 8	SAE 8	25
THD-2500	THD-25-2V-YW-MO	7.2	8.06	10.25	8.50	—	3/4	SAE 8	SAE 8	25

Model	In/lbs	VPM	Force	GPM	VPM	Force	GPM	VPM	Force	Max GPM	Max Pressure
THD-1600	3.125	1000	89	.944	2500	555	2.359	4000	1420	3.775	2000 PSI
THD-2500	6.051	1000	172	.944	2500	1074	2.359	4000	2750	3.775	2000 PSI

Data from vibrator mounted to a 10,000 lb test block. Frequency and force will decrease on a less rigid mount.



T: +61 3 9800 6777 | W: [floweasy.com.au](http://floweasy.com.au)

**FLOW-EASY**  
INDUSTRIAL VIBRATORS BY ENMIN