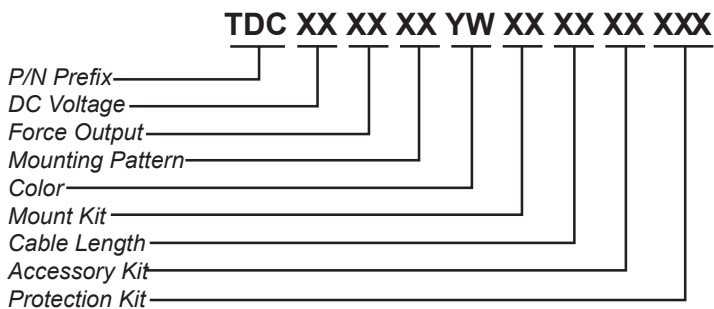


# Cougar® DC Truck Vibrators

## PRODUCT DATA SHEET



### NOMENCLATURE



#### DC VOLTAGE

**12:** 12 Volt  
**24:** 24 Volt

#### FORCE OUTPUT

**11:** 1100 Lbs  
**16:** 1600 Lbs  
**25:** 2500 Lbs  
**27:** 2700 Lbs  
**32:** 3200 Lbs

#### MOUNTING PATTERN

**4M:** Rectangular Pattern  
 2.00" x 8.00"  
**2V:** In-line Pattern  
 8.50" Between Center  
**2M:** In-line Pattern  
 8.00" Between Center

#### MOUNT KIT

**MO:** No Mount Kit  
**MA:** Aluminum Mount Plate  
**MS:** Steel Mount Plate  
**MB:** Hardware Only

#### CABLE LENGTH

**CO:** No Cord  
**25:** 25 ft  
**40:** 40 ft  
**70:** 70 ft

#### ACCESSORY KIT

**AO:** No Accessory Kit  
**06:** #6 Kit

#### PROTECTION KIT

**PRO:** No Protection Kit  
**1CO:** 2-Year Warranty  
 (circuit breaker)  
**3CT:** 3-Year Warranty  
 (circuit breaker and timer)

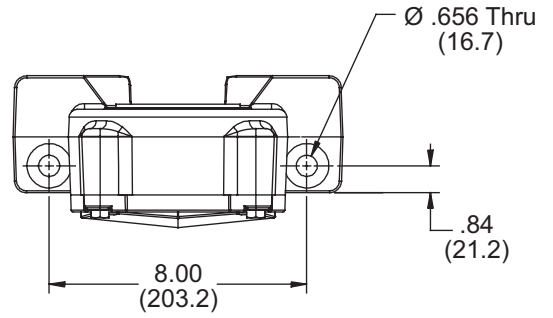
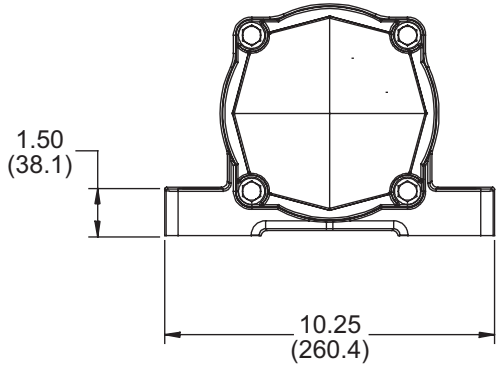
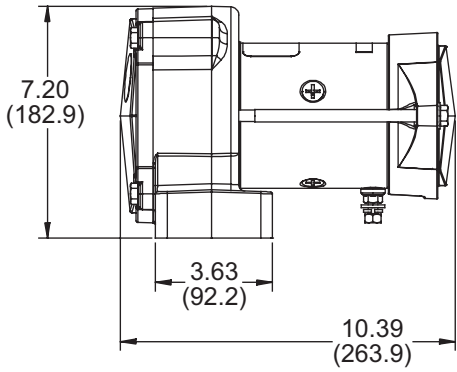
### FEATURES

- Up to 3200 pounds of vibratory force to improve the unloading of wet, sticky, fibrous or even frozen material.
- Small, lightweight units require minimal space.
- Weather-proof aluminum housing provides high output to weight ratio.
- Sealed ball bearings eliminate lubrication requirements.
- Supplied with mounting hardware and electrical connections

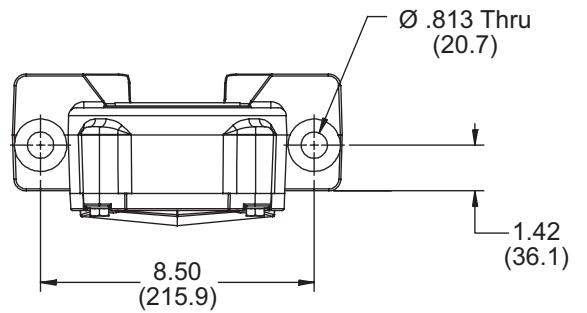
#### Specify Cougar for:

- Cost effective solutions
- Expert technical assistance
- Complete service and support

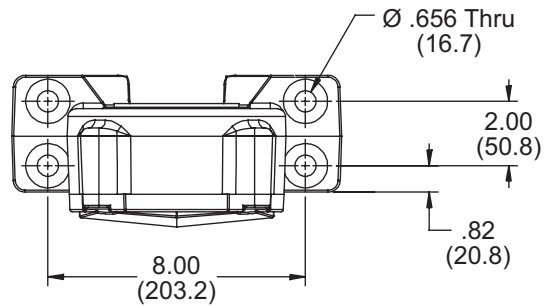
# COUGAR DC TRUCK VIBRATORS



**TDCXX-XXXX-2M**



**TDCXX-XXXX-2V**



**TDCXX-XXXX-4M**

## PERFORMANCE DATA

Model	Volts	Average Amps	Max Force Lbs
TDC12-1100	12	45	1100
TDC12-1600	12	46	1600
TDC12-2500	12	46	2500
TDC12-2700	12	50	2700
TDC12-3200	12	53	3200
TDC24-1100	24	29	1100
TDC24-1600	24	30	1600
TDC24-2500	24	30	2500
TDC24-2700	24	33	2700
TDC24-3200	24	36	3200



T: +61 3 9800 6777 | W: [floweasy.com.au](http://floweasy.com.au)

**FLOW-EASY**  
INDUSTRIAL VIBRATORS BY ENMIN